

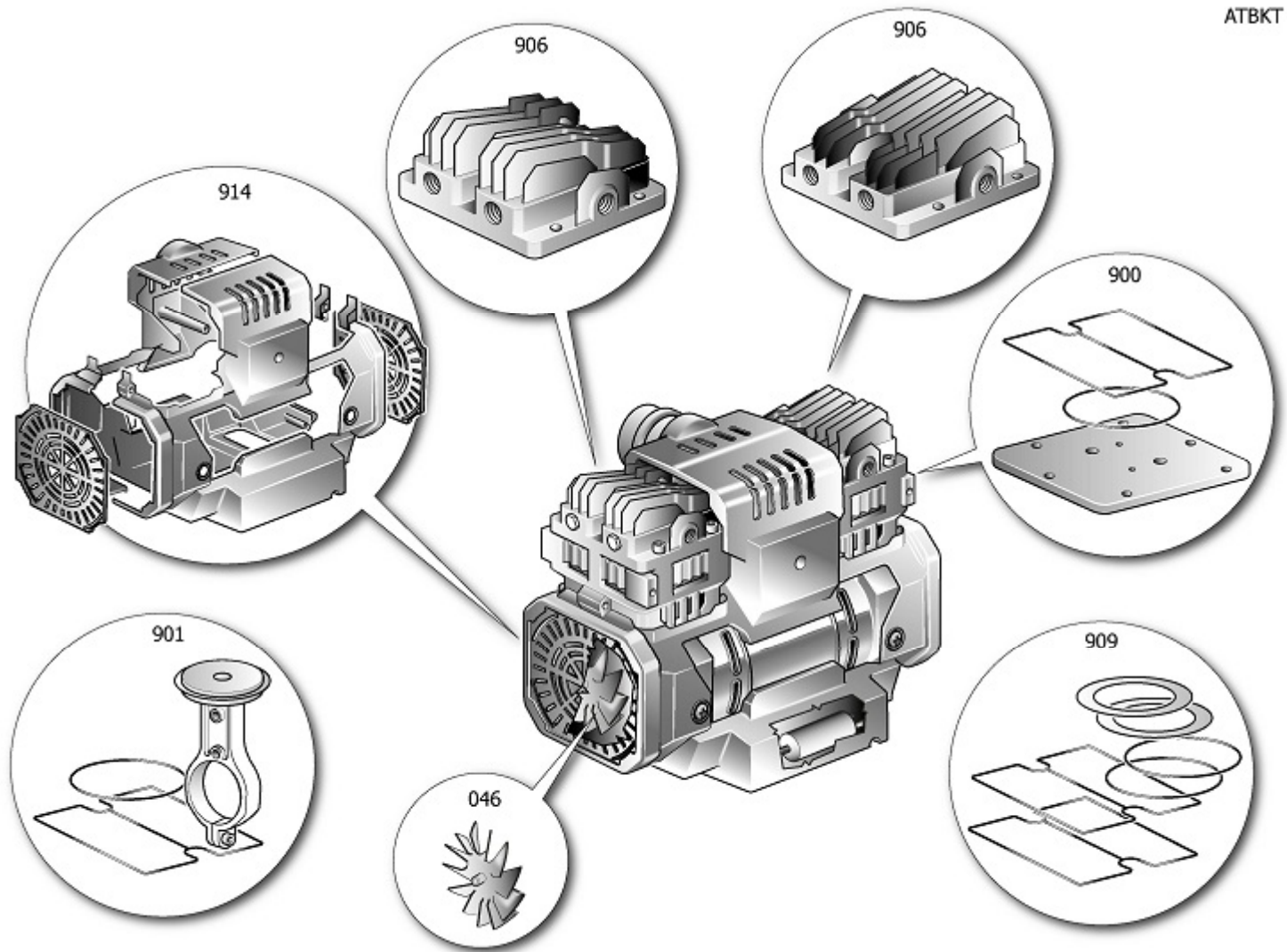


# B2DV304NUA

SILTEK TB 50 V

<b>Pos</b>	<b>Component</b>	<b>MU</b>	<b>Multiplier</b>
23	9417794	AIR FILTER ASSEMBLY	PZ 1,0
80	9417791	CONDENSER	PZ 1,0
110	9049190	RELIEF VALVE	PZ 1,0
132	9065376	POWER CABLE	PZ 1,0
200	9417870	BARE PUMP	PZ 1,0
300	9430820	WHEELS/FEET MOUNTING KIT	PZ 1,0
990	9430847	KIT INSTRUMENTS	PZ 1,0
991	9430821	KIT SENDING PIPE	PZ 1,0
992	9430830	KIT NOT RETURN VALVE	PZ 1,0
998	9430816	KIT DAMPERS	PZ 1,0

ATBKT





# PUMP OL150TB 1,

## BARE PUMP

Pos	Component	MU	Multiplier
46	9430851	FAN	PZ 2,0
900	9430800	MPK VALVE PLATE Q2 750W JW	PZ 2,0
901	9430801	MPK CONROD ASS.LY Q2 750W JW	PZ 2,0
906	9430848	MPC HEAD LF Q2 750W TB JW	PZ 1,0
906	9430849	MPC HEAD RG Q2 750W TB JW	PZ 1,0
909	9430804	MPK GASKETS+SEALS Q2 750W JW	PZ 1,0
914	9430850	CONVEYOR KIT	PZ 1,0